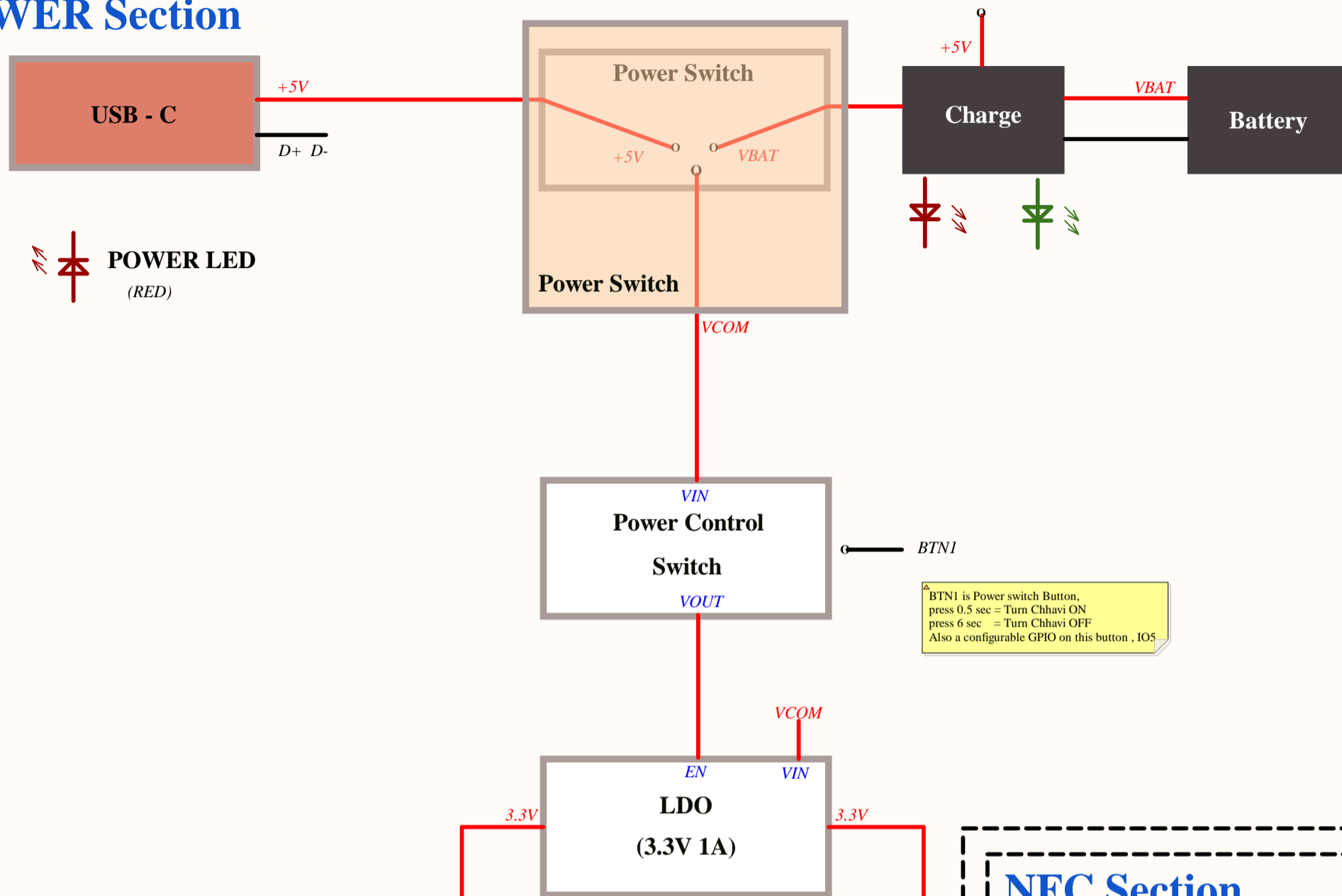


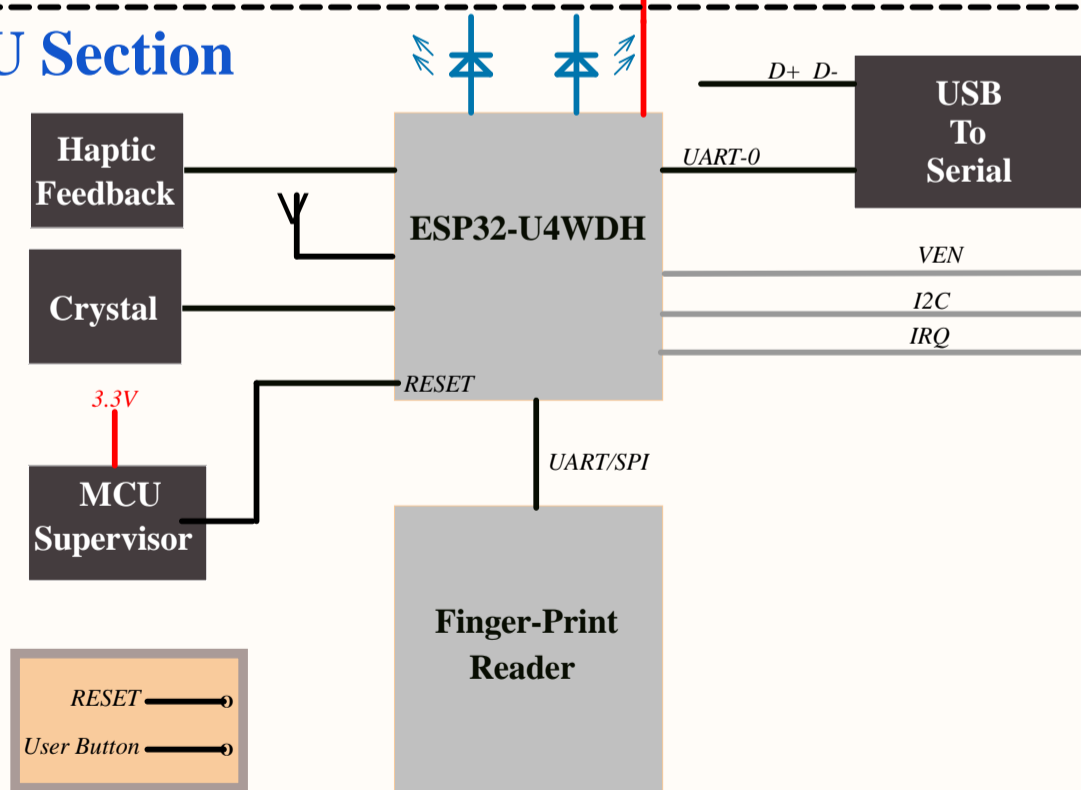
Chhavi (V1.3)

(Block Diagram)

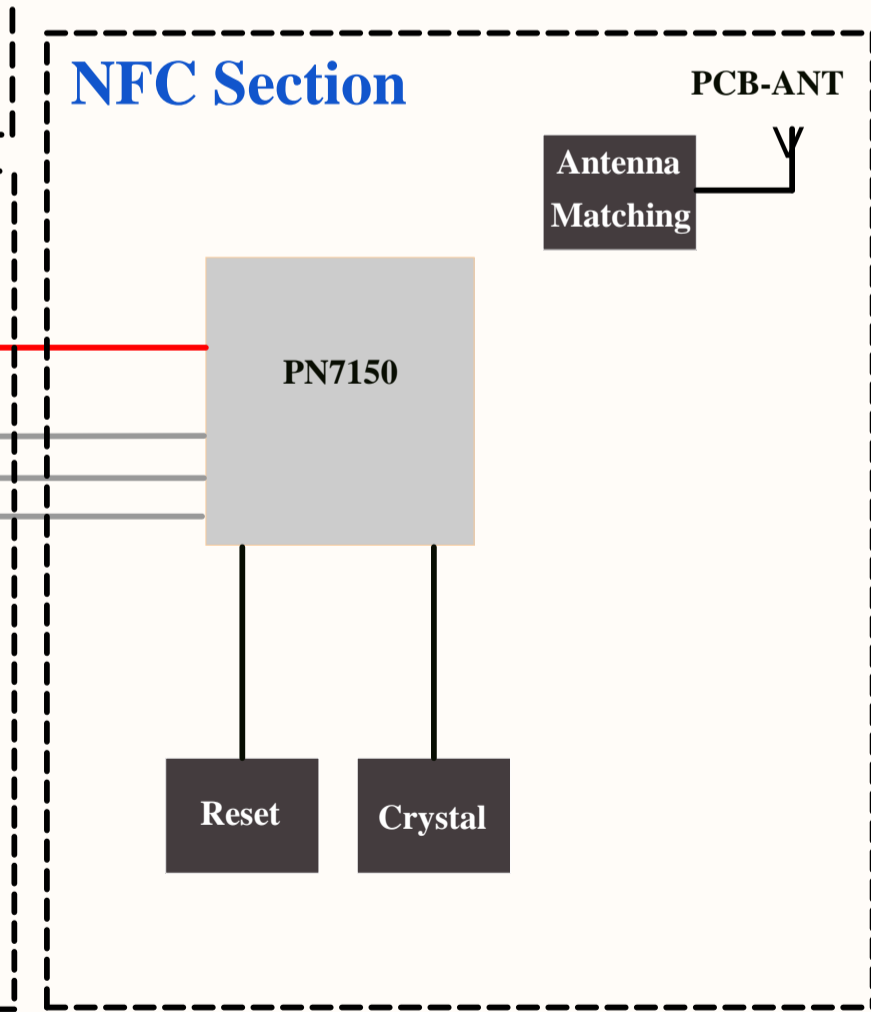
POWER Section



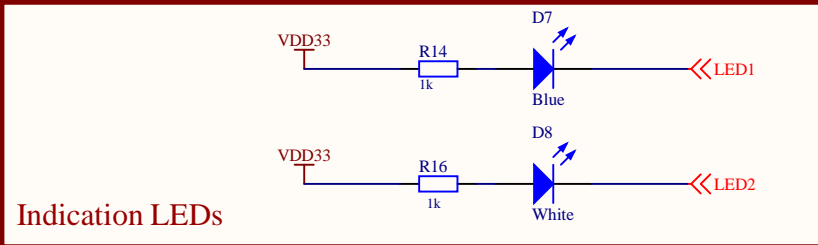
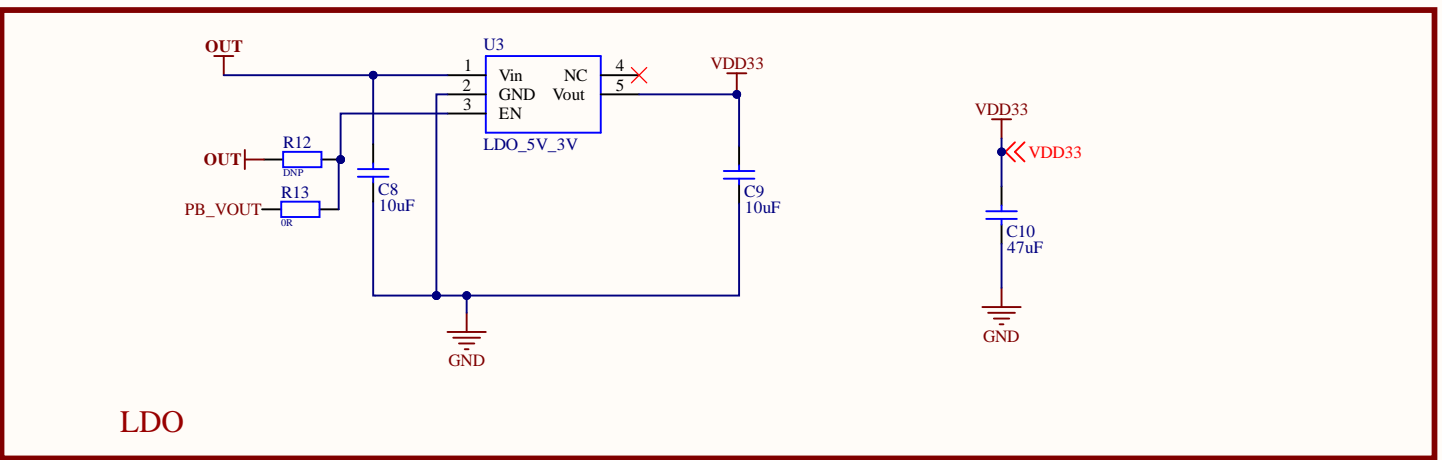
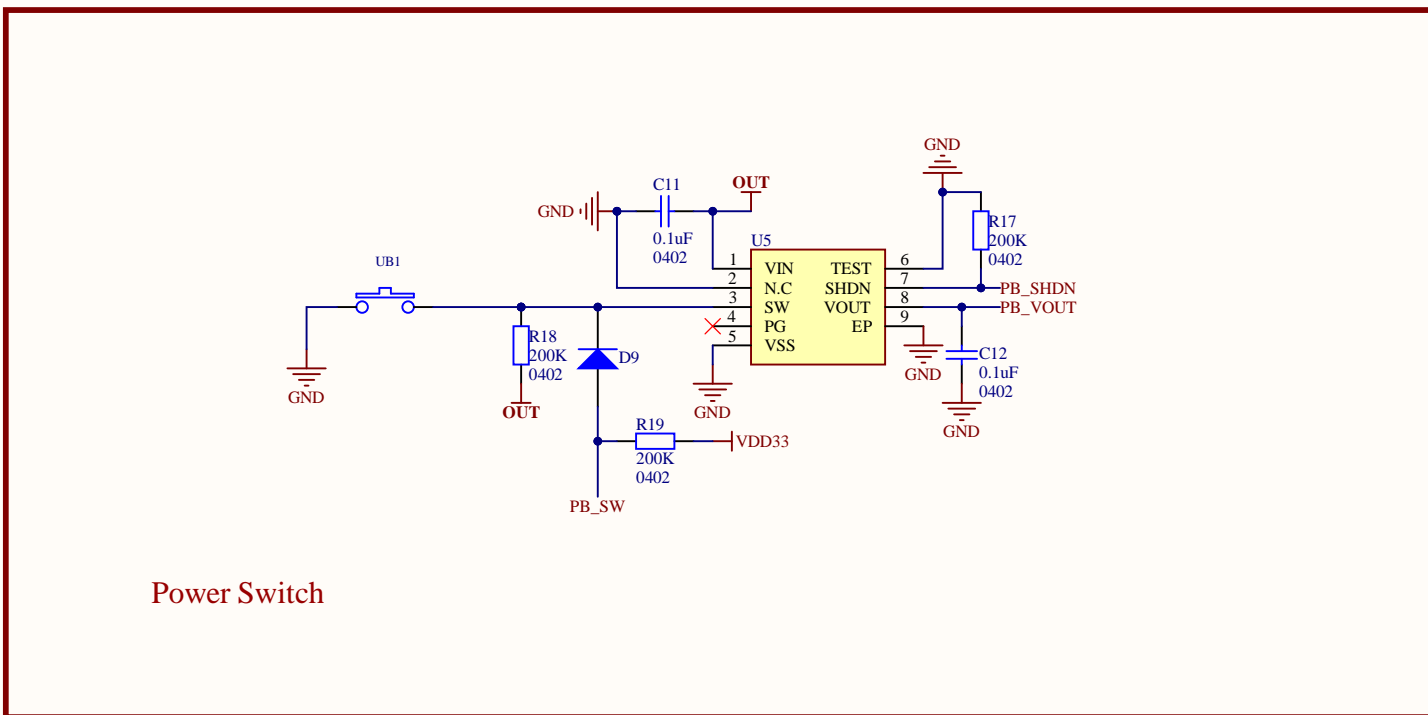
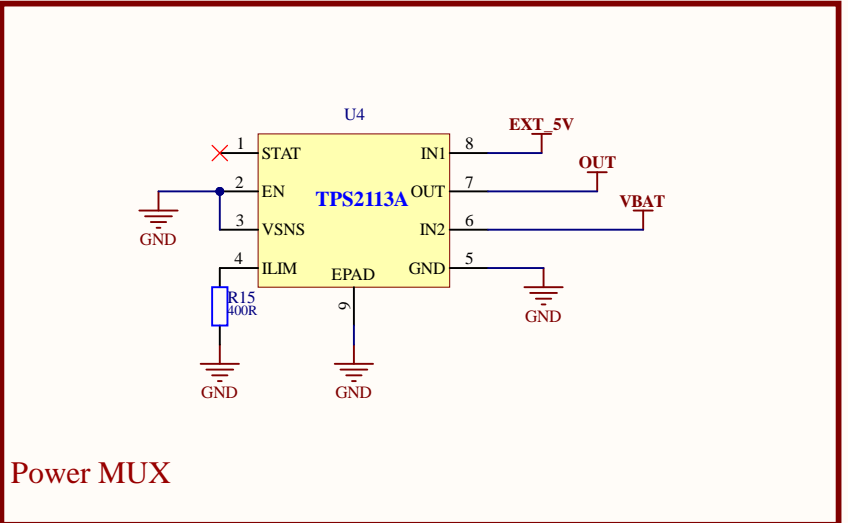
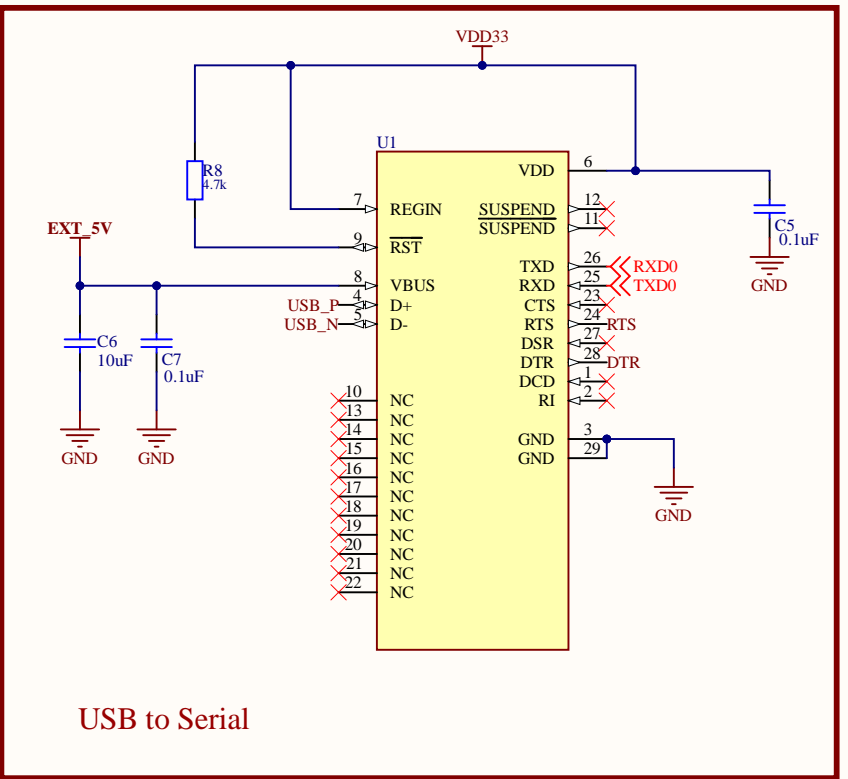
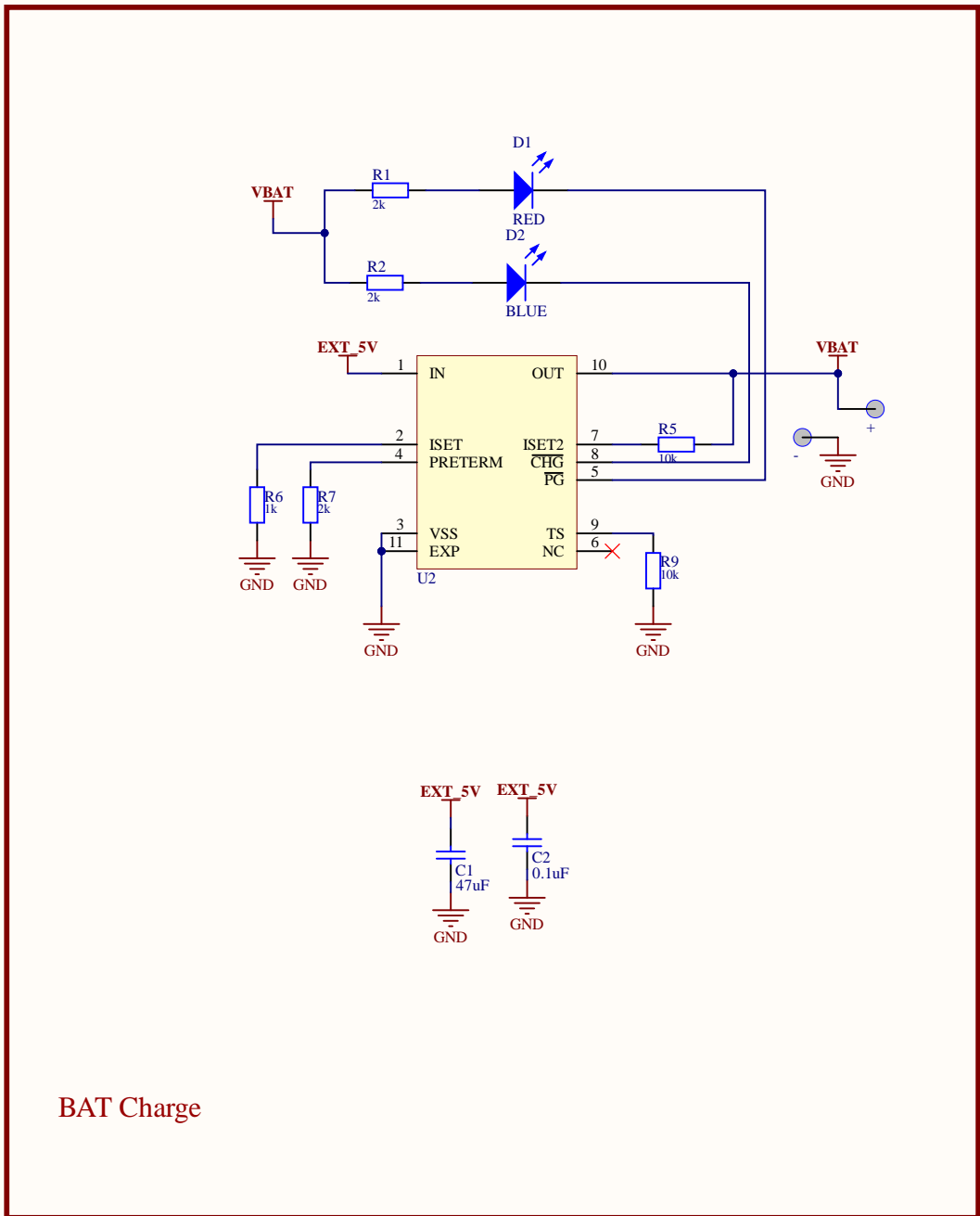
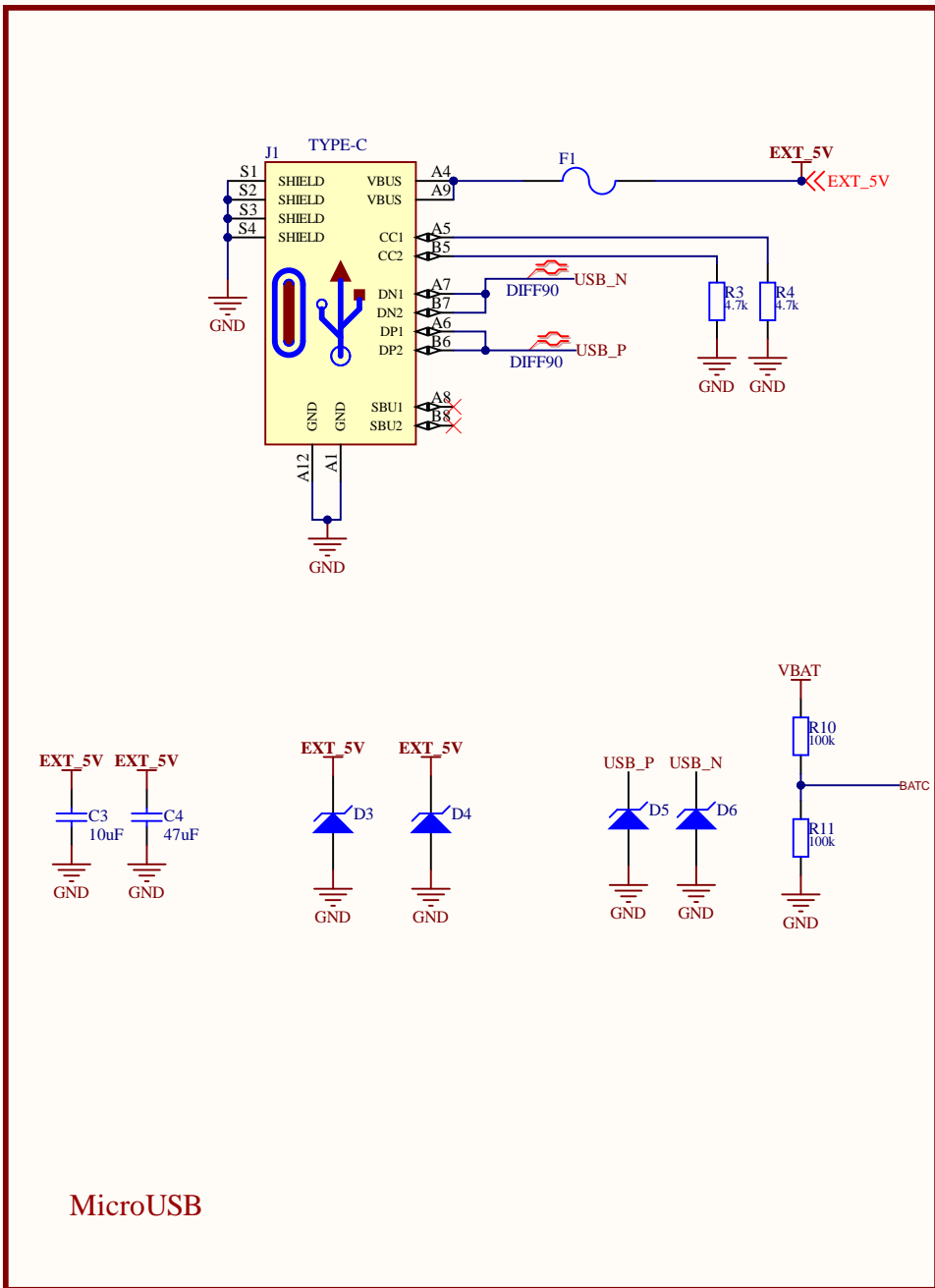
MCU Section



NFC Section

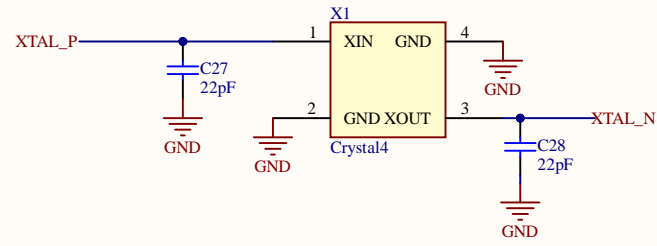


VICHARAK		https://vicharak.in/chhavi	
Project: Chhavi			
Page Contents: FingerPrint_BD_FPV1.3.SchDoc			
Designed by:	Size: -	Revision: V1.3	
Date: 21-04-2022	Sheet 1 of 4		

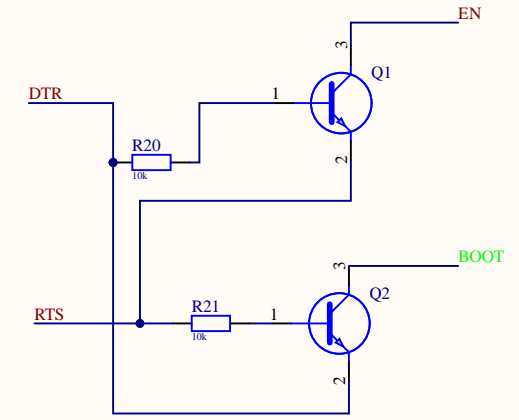


VICHARAK		https://vicharak.in/chhavi	
Project: Chhavi			
Page Contents: Power_Section_FPV1.3.SchDoc			
Designed by:	Size: -	Revision: V1.3	
Date: 21-04-2022	Sheet 2	of 4	

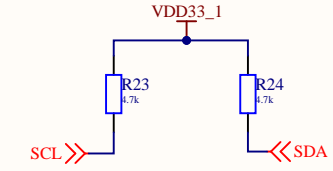
Crystal



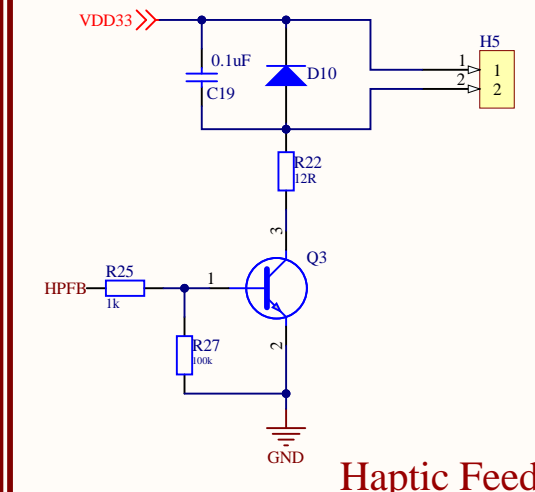
Auto Code Load



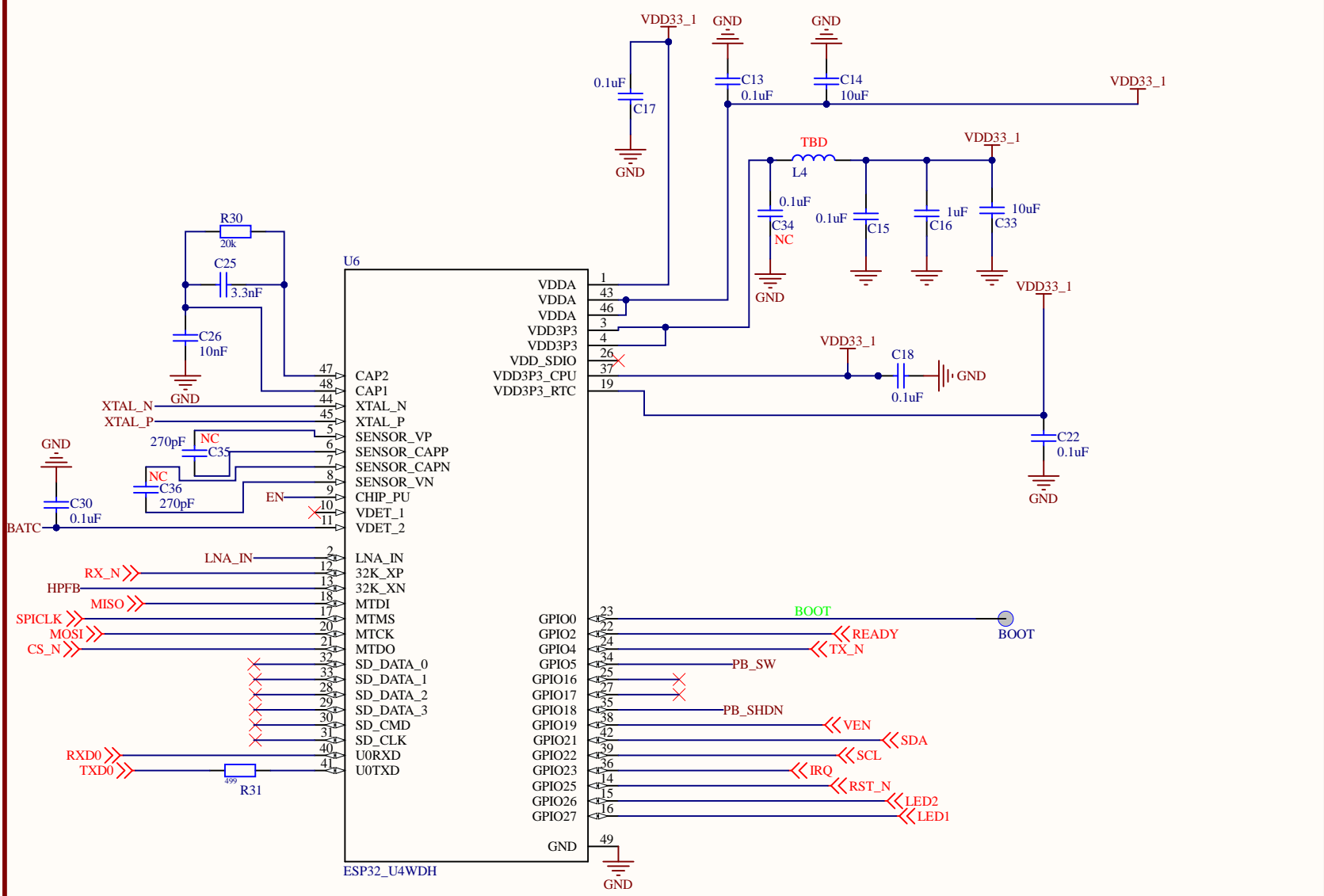
I2C



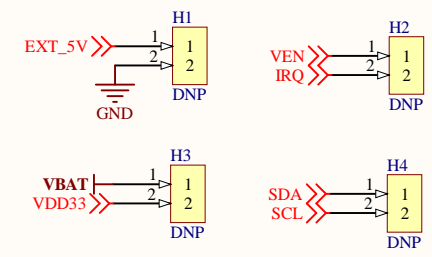
Haptic Feedback



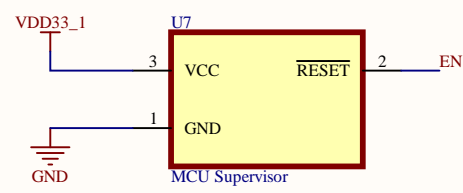
ESP32_D0WD



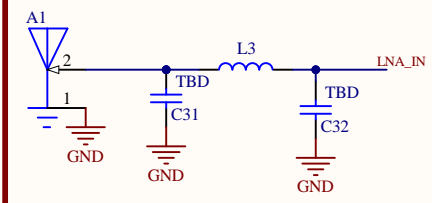
NFC Board Connections



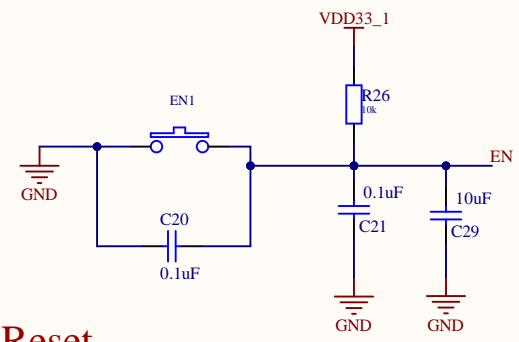
MCU Supervisor



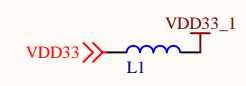
RF



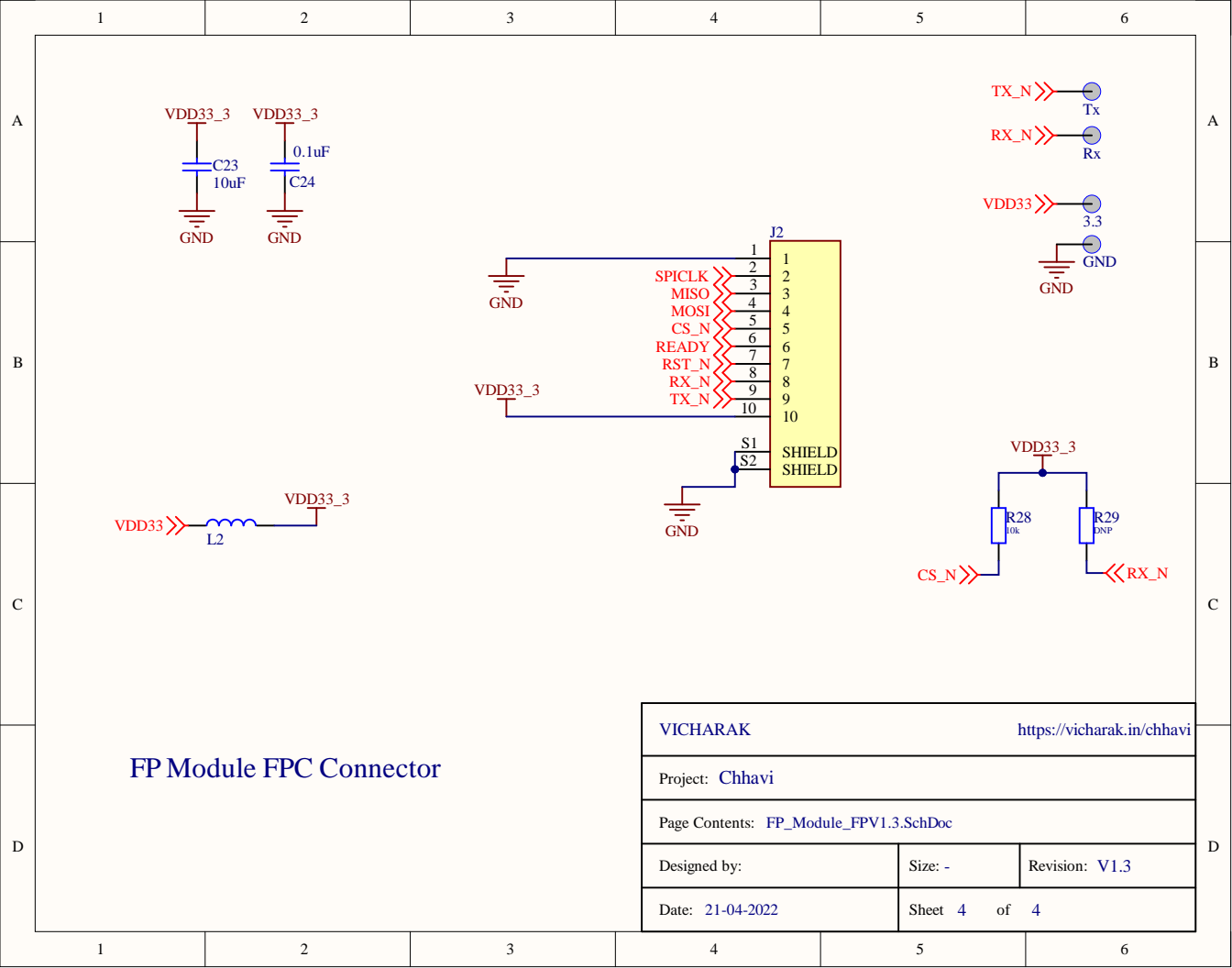
Reset



Power



VICHARAK		https://vicharak.in/chhavi	
Project: Chhavi			
Page Contents: MCU_WiFi_FPV1.3.SchDoc			
Designed by:	Size: -	Revision: V1.3	
Date: 21-04-2022	Sheet 3 of 4		



FP Module FPC Connector

VICHARAK		https://vicharak.in/chhavi	
Project: Chhavi			
Page Contents: FP_Module_FPV1.3.SchDoc			
Designed by:	Size: -	Revision: V1.3	
Date: 21-04-2022	Sheet 4	of	4